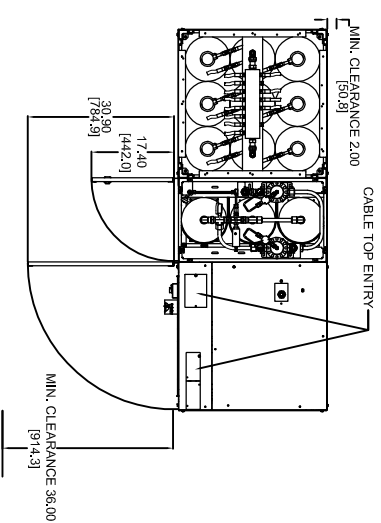
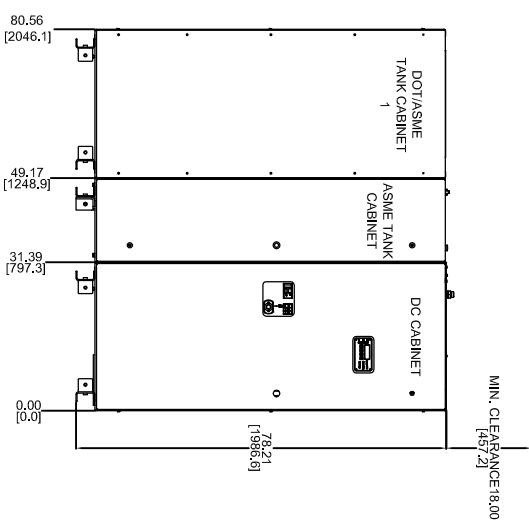


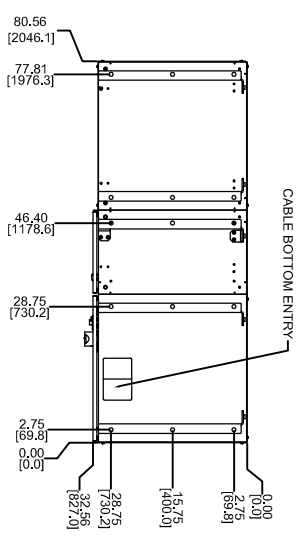
NOTES:
 1) SKINS ONLY ON OUTER CABINETS, NONE ARE ATTACHED BETWEEN CABINETS IN AN IN-LINE SYSTEM.



TOP VIEW



FRONT ELEVATION



SECTION AA

001	REV	1	FOI	1	MS
REV	DESCRIPTION	BY	DATE	APPR	
A	PILOT RELEASE ECN #				

ACTIVE POWER, INC. CONFIDENTIAL. THIS DOCUMENT AND THE INFORMATION CONTAINED HEREIN ARE CONFIDENTIAL AND CANNOT BE COPIED OR REPRODUCED IN ANY MANNER WITHOUT THE EXPRESS WRITTEN CONSENT OF ACTIVE POWER, INC.		UNLESS OTHERWISE SPECIFIED, ALL DIMENSIONS IN INCHES & SHAPE EDGES. TOLERANCES ARE: .XX: ±.03 .XXX: ±.010 ANGLES: ±.5°		DO NOT SCALE DRAWING		Active Power® AUSTIN TEXAS	
THIRD ANGLE PROJECTION		MATERIAL SEE NOTES		FINISH SEE NOTES		TITLE OUTLINE, COOLAIR DC, 1 TANK CABINET, 6 MIN., 80KW	
APPROVALS JLS		DATE 10/14/05		DRAWN JLS		CHECKED AM	
SIZE B		DWG. NO.		SCALE N/A		SHEET 1 OF 1	

PRELIMINARY - FOR INFORMATION ONLY, NOT FOR CONSTRUCTION.

