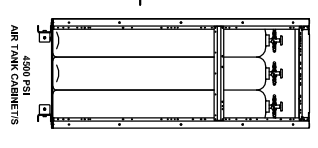
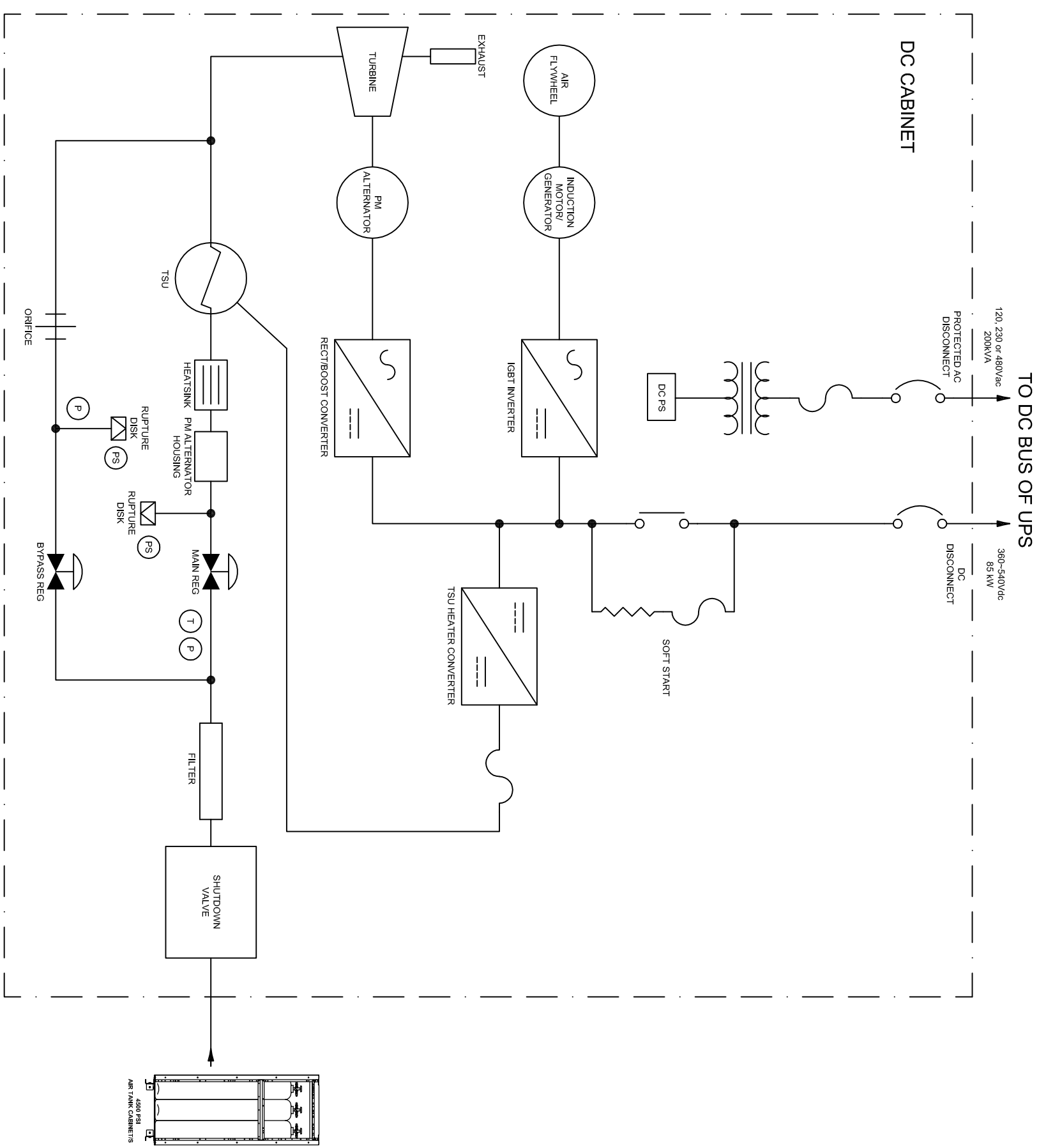


REV	DESCRIPTION	BY	DATE	APPR
A	PILOT RELEASE ECN #			

001 OF 1



ACTIVE POWER, INC. CONFIDENTIAL. THIS DOCUMENT AND THE INFORMATION CONTAINED HEREIN ARE CONFIDENTIAL AND CANNOT BE COPIED OR REPRODUCED IN ANY MANNER WITHOUT THE EXPRESS WRITTEN CONSENT OF ACTIVE POWER, INC.

UNLESS OTHERWISE SPECIFIED, ALL DIMENSIONS IN INCHES & SHAPE EDGES, TOLERANCES ARE:
 .XX: ±.03
 .XXX: ±.010
 ANGLES: ±.5°

THIRD ANGLE PROJECTION
 MATERIAL: SEE NOTES
 FINISH: SEE NOTES

DO NOT SCALE DRAWING
 APPROVALS: JLS
 DATE: 10/24/05
 TITLE: ONELINE COOLAIR DC 32-80 KW DIAGRAM
 ACTIVE POWER® AUSTIN TEXAS

SCALE: N/A
 SHEET: 1 OF 1
 REV: P00

PRELIMINARY

A 8 7 6 5 4 3 2 1