



Shown with
Optional
Equipment

CAE – SOUND ATTENUATED WEATHERPROOF ENCLOSURES

D20P1–D100P4
D20P1S–D100P4S

These fully weatherproof, sound attenuated, factory installed, enclosures incorporate internally mounted exhaust silencers and fabricated steel skidbase. Optional UL listed tanks are available. These enclosures are of extremely rugged construction to withstand outdoor exposure and rough handling common on many construction sites. They are designed on modular principles with many interchangeable components permitting on-site repair.

FEATURES

HIGHLY CORROSION RESISTANT CONSTRUCTION

- Stainless steel flush fitting latches and hinges tested and proven to withstand extreme conditions of corrosion
- Zinc plated or stainless steel fasteners
- Body made from steel components treated with polyester powder coating

EXCELLENT ACCESS FOR MAINTENANCE

- Full length extra wide doors on each side
- Doors top hung and supported by gas struts
- Radiator fill access
- Lube oil and cooling water drains piped to exterior of the enclosure skidbase

SECURITY AND SAFETY

- Lockable access doors
- Stub-up cover sheets for "rodent proofing"

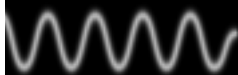
- Cooling fan and battery charging alternator fully guarded
- Fuel fill and battery can only be reached via lockable access doors (only provided when optional fuel tank is ordered)
- Exhaust silencing system totally enclosed for operator safety

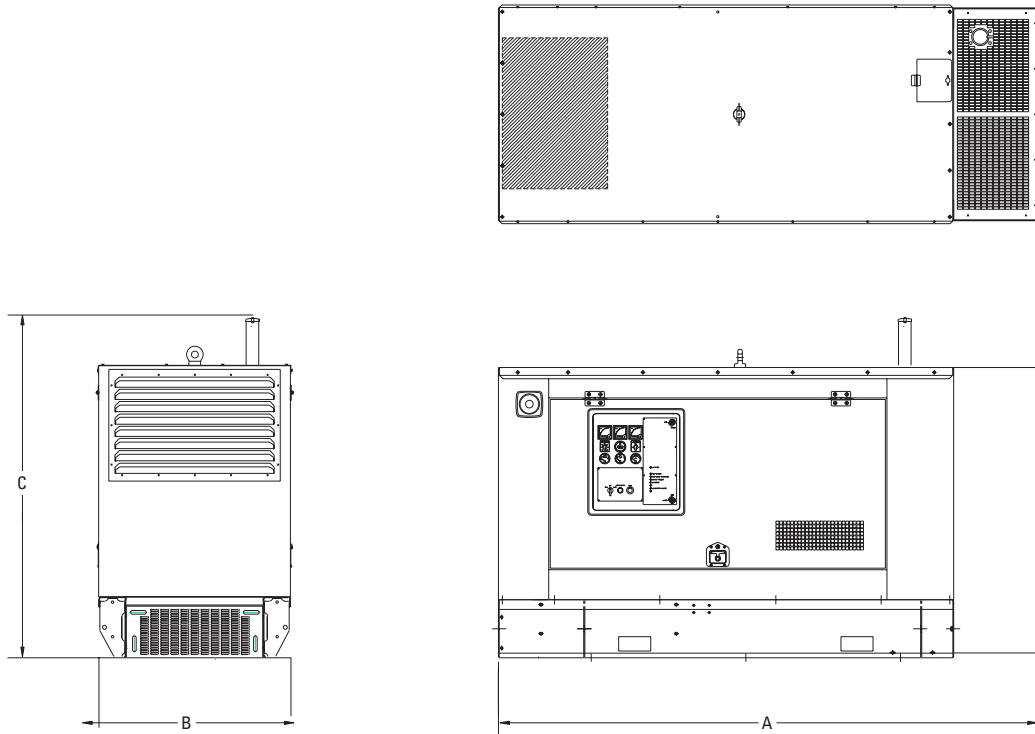
TRANSPORTABILITY

- Lifting points on baseframe
- Tested and certified single point lifting facility

OPTIONS

- FTP Integral welded fuel tank
- Control panel viewing window
- Emergency stop push button (red) mounted flush on exterior enclosure wall

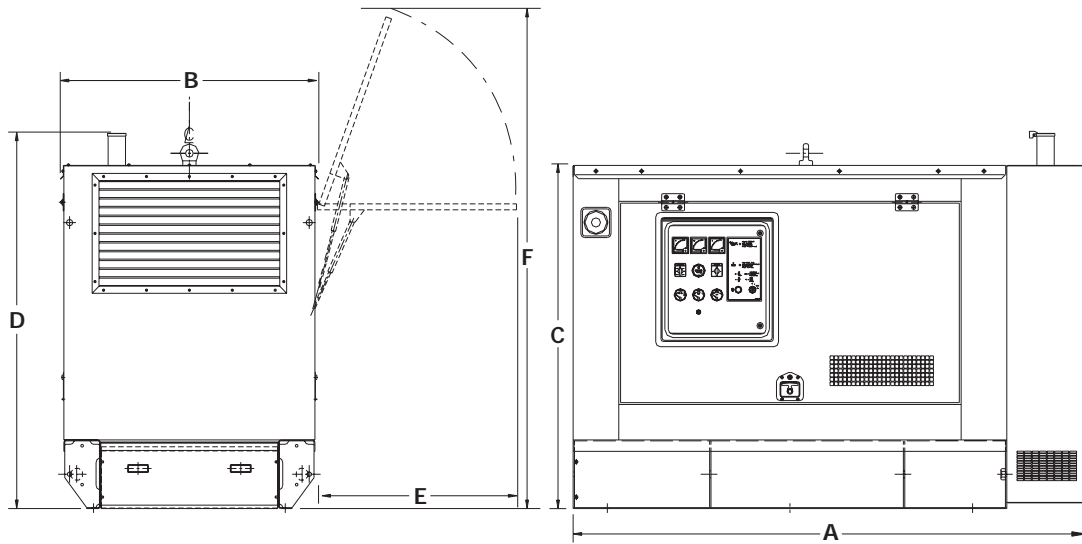




FSK SKIDBASE WITH CAE SOUND ATTENUATED ENCLOSURE GENERATOR DIMENSIONS

Generator Set Model	Length A in (mm)	Width B in (mm)	Height C in (mm)	Weight* lbs (kg)
D20P1, D25P1	82.3 (2090)	38.6 (980)	61.3 (1558)	2064 (938)
D25P4	88.6 (2250)	44.5 (1130)	64.7 (1644)	2486 (1130)
D30P6	88.6 (2250)	44.5 (1130)	64.7 (1644)	2508 (1140)
D30P3	88.6 (2250)	44.5 (1130)	64.7 (1644)	3109 (1411)
D40P4	88.6 (2250)	44.5 (1130)	64.7 (1644)	2629 (1195)
D50P3	88.6 (2250)	44.5 (1130)	64.7 (1644)	3265 (1481)
D50P4	88.6 (2250)	44.5 (1130)	64.7 (1644)	2706 (1230)
D60P3	88.6 (2250)	44.5 (1130)	64.7 (1644)	3353 (1521)
D60P4	88.6 (2250)	44.5 (1130)	64.7 (1644)	2816 (1280)
D75P3	88.6 (2250)	44.5 (1130)	64.7 (1644)	3469 (1571)
D80P4, D90P1, D100P1, D100P4	110.4 (2805)	44.5 (1130)	63.4 (1610)	4050 (1841)
D20P1S, D25P1S	82.3 (2090)	38.6 (980)	61.3 (1558)	2064 (938)
D25P4S	88.6 (2250)	44.5 (1130)	64.7 (1644)	2486 (1130)
D30P3S	88.6 (2250)	44.5 (1130)	64.7 (1644)	3109 (1411)
D30P4S	88.6 (2250)	44.5 (1130)	64.7 (1644)	2508 (1140)
D40P3S	88.6 (2250)	44.5 (1130)	64.7 (1644)	3265 (1481)
D40P4S	88.6 (2250)	44.5 (1130)	64.7 (1644)	2629 (1195)
D50P3S	88.6 (2250)	44.5 (1130)	64.7 (1644)	3353 (1521)
D50P4S	88.6 (2250)	44.5 (1130)	64.7 (1644)	2662 (1210)
D60P3S	88.6 (2250)	44.5 (1130)	64.7 (1644)	3463 (1571)
D75P1S, D90P1S	110.4 (2805)	44.5 (1130)	63.4 (1610)	4050 (1841)
D60P4S, D75P4S, D90P4S, D100P4S	110.4 (2805)	44.5 (1130)	63.4 (1610)	3506 (1590)

*Net weight with lube oil and coolant, no fuel, quoted for largest model in range.



SOUND ATTENUATED WEATHERPROOF ENCLOSURES "C" SERIES DIMENSIONS AND WEIGHTS (with non-UL listed base tank)

Generator Set Model	A in (mm)	B in (mm)	C in (mm)	D in (mm)	E in (mm)	F in (mm)	Fuel Capacity US Gal (L)	Weight* lb (kg)
D20P1, D25P1	82.3 (2090)	38.6 (980)	57.1 (1450)	61.3 (1558)	34.8 (885)	79.1 (2010)	52.8 (200)	2197 (997)
D25P4	88.6 (2250)	44.5 (1130)	59.1 (1500)	64.8 (1646)	34.8 (885)	81.9 (2080)	66.1 (250)	2530 (1150)
D30P6	88.6 (2250)	44.5 (1130)	59.1 (1500)	64.8 (1646)	34.8 (885)	81.9 (2080)	66.1 (250)	2552 (1157)
D30P3	88.6 (2250)	44.5 (1130)	59.1 (1500)	64.7 (1644)	34.8 (885)	81.9 (2080)	66.1 (250)	2803 (1272)
D40P3	88.6 (2250)	44.5 (1130)	59.1 (1500)	64.7 (1644)	34.8 (885)	81.9 (2080)	66.1 (250)	2892 (1312)
D40P4	88.6 (2250)	44.5 (1130)	59.1 (1500)	64.8 (1646)	34.8 (885)	81.9 (2080)	66.1 (250)	2673 (1215)
D50P3	88.6 (2250)	44.5 (1130)	59.1 (1500)	64.7 (1644)	34.8 (885)	81.9 (2080)	66.1 (250)	3013 (1367)
D50P4	88.6 (2250)	44.5 (1130)	59.1 (1500)	64.8 (1646)	34.8 (885)	81.9 (2080)	66.1 (250)	2750 (1250)
D60P3	88.6 (2250)	44.5 (1130)	59.1 (1500)	64.7 (1644)	34.8 (885)	81.9 (2080)	66.1 (250)	3101 (1407)
D60P4	88.6 (2250)	44.5 (1130)	59.1 (1500)	64.8 (1646)	34.8 (885)	81.9 (2080)	66.1 (250)	2860 (1300)
D75P3	88.6 (2250)	44.5 (1130)	59.1 (1500)	64.7 (1644)	34.8 (885)	81.9 (2080)	66.1 (250)	3211 (1457)
D80P4, D90P1, D100P1, D100P4	110.4 (2805)	44.5 (1130)	59.1 (1500)	63.4 (1610)	34.8 (885)	79.9 (2030)	79.3 (300)	4047 (1859)
D20P1S, D25P1S	82.3 (2090)	38.6 (980)	57.1 (1450)	61.3 (1558)	34.8 (885)	79.1 (2010)	52.8 (200)	2197 (997)
D25P4S	88.6 (2250)	44.5 (1130)	59.1 (1500)	64.8 (1646)	34.8 (885)	81.9 (2080)	66.1 (250)	2530 (1150)
D30P3S	88.6 (2250)	44.5 (1130)	59.1 (1500)	64.7 (1644)	34.8 (885)	81.9 (2080)	66.1 (250)	2803 (1272)
D30P4S	88.6 (2250)	44.5 (1130)	59.1 (1500)	64.8 (1646)	34.8 (885)	81.9 (2080)	66.1 (250)	2558 (1160)
D40P3S	88.6 (2250)	44.5 (1130)	59.1 (1500)	64.7 (1644)	34.8 (885)	81.9 (2080)	66.1 (250)	2959 (1342)
D40P4S	88.6 (2250)	44.5 (1130)	59.1 (1500)	64.7 (1644)	34.8 (885)	81.9 (2080)	66.1 (250)	2679 (1215)
D50P3S	88.6 (2250)	44.5 (1130)	59.1 (1500)	64.8 (1646)	34.8 (885)	81.9 (2080)	66.1 (250)	3102 (1407)
D50P4S	88.6 (2250)	44.5 (1130)	59.1 (1500)	64.8 (1646)	34.8 (885)	81.9 (2080)	66.1 (250)	2712 (1230)
D60P3S	88.6 (2250)	44.5 (1130)	59.1 (1500)	64.8 (1646)	34.8 (885)	81.9 (2080)	66.1 (250)	3213 (1457)
D75P1S, D90P1S	88.6 (2250)	44.5 (1130)	59.1 (1500)	63.4 (1610)	34.8 (885)	79.9 (2030)	66.1 (250)	4054 (1839)
D60P4S, D75P4S, D90P4S, D100P4S	110.4 (2805)	44.5 (1130)	59.1 (1500)	63.4 (1610)	34.8 (885)	79.9 (2030)	79.3 (300)	3594 (1630)

*Net weight with lube oil and coolant, no fuel, quoted for largest model in range.

SOUND LEVELS

Generator Set Model	50 ft (15 m)		1800 rpm (60 Hz) 23 ft (7 m)		3 ft (1 m)	
	No Load (dBA)	Full Load (dBA)	No Load (dBA)	Full Load (dBA)	No Load (dBA)	Full Load (dBA)
	D20P1, D20P1S	61.3	63.5	67.3	69.5	78.4
D25P1, D25P1S	61.3	63.7	67.3	69.7	78.4	81.1
D25P4, D25P4S	64.3	65.5	70.3	71.5	79.8	81.2
D30P6, D30P4S	64.3	66.2	70.3	72.2	79.8	81.9
D40P4, D40P4S	64.3	68	70.3	74	79.8	83.5
D30P3, D30P3S	66.3	67.8	72.3	73.8	83	83.9
D40P3, D40P3S	66.3	68	72.3	74	83	84.3
D50P3, D50P3S	64.5	65.4	70.5	71.4	81.1	82.2
D60P3, D60P3S	64.5	66	70.5	72	81.1	82.7
D75P3	64.5	66.6	70.5	72.6	81.1	83.4
D50P4, D50P4S	63.6	64	69.6	70	79.5	79.4
D60P4	63.6	64.7	69.6	70.7	79.5	80.2
D60P4S	66.9	65.2	72.9	71.2	82	82.3
D75P4S	66.9	65.2	72.9	71.2	82	82.3
D75P1S	63	64.4	69	70.4	82.4	82.9
D80P4	66.9	65.9	72.9	71.9	82	82.9
D90P1, D90P1S	63	65.1	69	71.1	82.4	83.3
D90P4S	66.9	65.9	72.9	71.9	82	82.9
D100P1	63	65.4	69	71.4	82.4	83.1
D100P4, D100P4S	66.9	68.7	72.9	74.7	82	85.7

The sound pressure level data shown is quoted as free field and is for guidance only. Actual levels produced may vary according to site conditions.

www.CAT-ElectricPower.com

© 2005 Caterpillar
All rights reserved.
Printed in U.S.A.