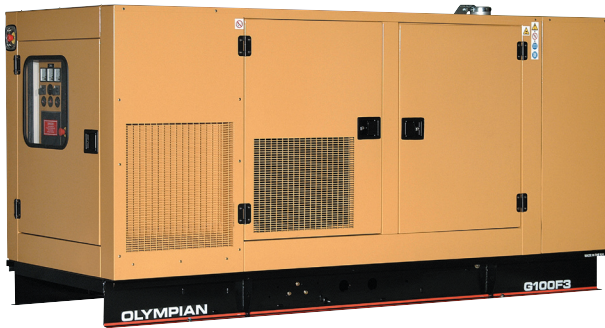


CAE – SUPER SOUND ATTENUATED ENCLOSURES FOR GAS GENERATOR SETS

**G30F3–G150G1
G30F3S–G100F3S**



These super sound attenuated, factory designed and installed enclosures are of rugged construction and sound attenuated down to extremely quiet levels. They incorporate internally mounted silencers for safety and aesthetic value.

FEATURES

ROBUST/HIGHLY CORROSION RESISTANT CONSTRUCTION

- Zinc plated or stainless steel fasteners
- Black zinc die cast locks and hinges tested and proven to withstand extreme conditions of corrosion
- Body made from steel components treated with polyester powder coating

EXCELLENT ACCESS FOR MAINTENANCE

- Large cable entry area for installation ease
- Vertically hinged doors allow full 180° opening rotation
- Lube oil and coolant drains piped to edge of enclosure and terminated with drain valves
- Two large side doors on each side for excellent maintenance access
- Radiator fill
- Radiator cleaning through removable access plate (G150G1)
- "Lift-off" hinges allow doors to be removed if required

SECURITY AND SAFETY

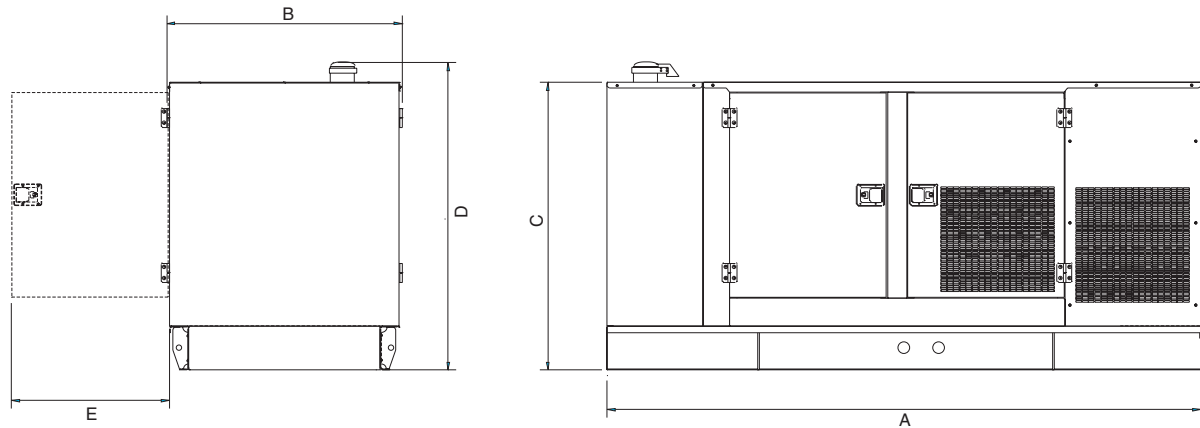
- Exhaust silencing system totally enclosed for operator safety
- Roof outlet exhaust with roof aperture and rain cap
- Lockable access doors
- Cooling fan and battery charging alternator fully guarded
- Covers provided for "rodent proofing"

TRANSPORTABILITY

- Lifting points on baseframe

OPTIONS

- Emergency stop push button (red) mounted flush on exterior enclosure wall
- Control panel viewing window in a lockable access door



SUPER SOUND ATTENUATED WEATHERPROOF ENCLOSURES DIMENSIONS AND WEIGHTS

Generator Set Model	A in (mm)	B in (mm)	C in (mm)	D in (mm)	E in (mm)	Weight* lb (kg)
G30F3	106.4 (2700)	44.5 (1128.5)	52.4 (1330)	56.6 (1437.1)	24.7 (625.8)	2304 (1045)
G40F3	106.4 (2700)	44.5 (1128.5)	52.4 (1330)	56.6 (1437.1)	24.7 (625.8)	2425 (1100)
G50F3	106.4 (2700)	44.5 (1128.5)	52.4 (1330)	56.6 (1437.1)	24.7 (625.8)	2469 (1120)
G60F3	122.1 (3100)	48.4 (1228.5)	59.5 (1510)	63.7 (1616)	32.5 (825.3)	3349 (1519)
G80F3	122.1 (3100)	48.4 (1228.5)	59.5 (1510)	63.7 (1616)	32.5 (825.3)	3547 (1609)
G100F3	122.1 (3100)	48.4 (1228.5)	59.5 (1510)	63.7 (1616)	32.5 (825.3)	3572 (1620)
G125G1	122.1 (3100)	48.4 (1228.5)	59.5 (1510)	63.7 (1616)	32.5 (825.3)	4189 (1900)
G150G1	134.7 (3421)	48.7 (1238)	70.8 (1800)	76.0 (1930)	32.5 (825.3)	4453 (2020)
G30F3S	106.4 (2700)	44.5 (1128.5)	52.4 (1330)	56.6 (1437.1)	24.7 (625.8)	2425 (1100)
G35F3S	106.4 (2700)	44.5 (1128.5)	52.4 (1330)	56.6 (1437.1)	24.7 (625.8)	2469 (1120)
G45F3S	106.4 (2700)	44.5 (1128.5)	52.4 (1330)	56.6 (1437.1)	24.7 (625.8)	2579 (1170)
G55F3S	122.1 (3100)	48.4 (1228.5)	59.5 (1510)	63.7 (1616)	32.5 (825.3)	3437 (1559)
G75F3S	122.1 (3100)	48.4 (1228.5)	59.5 (1510)	63.7 (1616)	32.5 (825.3)	3547 (1609)
G90F3S	122.1 (3100)	48.4 (1228.5)	59.5 (1510)	63.7 (1616)	32.5 (825.3)	3847 (1745)
G100F3S	122.1 (3100)	48.4 (1228.5)	59.5 (1510)	63.7 (1616)	32.5 (825.3)	3968 (1800)

SOUND LEVELS

Generator Set Model	1800 rpm (60 Hz)					
	50 ft (15 m)		23 ft (7 m)		3 ft (1 m)	
	No Load (dBA)	Full Load (dBA)	No Load (dBA)	Full Load (dBA)	No Load (dBA)	Full Load (dBA)
G30F3, G30F3S	53.1	55.65	59.1	61.65	72.5	74.15
G35F3S	53.1	56.1	59.1	62.1	72.5	74.3
G40F3	53.1	56.6	59.1	62.6	72.5	74.6
G45F3S	53.1	57.4	59.1	63.4	72.5	74.8
G50F3	53.1	59.2	59.1	65.2	72.5	76.7
G55F3S, G60F3	57.9	60.4	63.9	66.4	80.6	81.8
G75F3S, G80F3	57.9	61.0	63.9	67.0	80.6	82.7
G90F3S	58.3	61.1	64.3	67.1	83.8	84.1
G100F3, G100F3S	58.3	61.3	64.3	67.3	83.8	84.0
G125G1	61.0	64.0	67.0	70.0	83.5	85.9
G150G1	66.1	68.3	72.1	74.3	85.5	87.1

The sound pressure level data shown is quoted as free field and is for guidance only. Actual levels produced may vary according to site conditions.

www.CAT-ElectricPower.com

© 2005 Caterpillar
All rights reserved.
Printed in U.S.A.